



Cavendish
— Health Care & Mobility —



Powerchair Range

Portable, tough & compact...Your mobility companion

The SupaChair Mini has been designed specifically for indoor use. The outstanding manoeuvrability gives you the freedom to move around your home with confidence.

This powerchair provides you with the ability to access those rooms that are limited for space. Comfortably navigate your way around furniture, enter and exit bathrooms, bedrooms and turn 360 degrees within a narrow hallway.



At **Cavendish Health Care**, we believe that our products should be of the highest quality and provide our customers with something a little bit different. That's why we've made sure that our powerchairs are lightweight, compact and easily transportable.



Our range of SupaChairs have been specifically designed to help you move around in confined spaces - whether that be in your house, flat or bungalow. The sheer variety of the SupaChair models mean that you can choose one that serves you well both inside and outside of your home.



Don't let the size of these powerchairs fool you. As well as having an acute turning circle and excellent manoeuvrability, each one has been manufactured to provide the user with ample legroom and superior ride quality.



To ensure you feel safe, all SupaChairs are equipped with anti-tip wheels and a highly responsive joystick which will help you maintain control when in use.



Key Features

- Lightweight fully transportable compact design
- Disassemble in seconds
- Folding foot board
- Anti-tip wheels
- Turning radius of 590mm
- Max user weight 23 stone (150kgs)
- Breaks down into 2 parts
- 2 x 150W motors
- Up to 10 miles travel distance
- Maximum speed 3.2mph
- Slope grade ability up to 6 degrees
- Gear stick control with 360° turning capability
- Battery is easily removed for charging
- 2 battery options available: (SLA) 12v 14ah - 9kg (20lbs) (Lithium) 24v 15ah - 4.0kg (9lbs)

MINI SPECIFICATIONS

Drive wheel size	200mm (8 inches)	Breaks down in to	2 pieces
Castor wheel size	100mm (4 inches)	Weight of seat, including armrest	9.4kg (20.7lbs)
Overall Length	850mm (33.5 inches)	Maximum speed SLA battery	3.2mph
Overall Width	550mm (21.7 inches)	Turning radius (reduced footboard)	590mm (23.2 inches)
Overall Height	800mm (31.5 inches)	Ground clearance	42mm (1.6 inches)
Standard Seat Width	400mm (15.8 inches)	Battery (SLA / Lithium)	24V 15 ah
Standard Seat Depth	380mm (15 inches)	Weight of battery (SLA / Lithium)	9.2kg / 4kg (20lbs / 9lbs)
Back Rest Height	320mm (12.6 inches)	Slope grade ability	4 degrees (6 degrees with back anti-tip)
Controller	Dynamic LiNX LE	Travel distance SLA / Lithium	Up to 10km / 16.5km (6.2 miles / 10.2 miles)
Weight Capacity	150kg (330lbs)	Battery Charger SLA	2A off board
Total weight with batteries (SLA)	39.1kg (86lbs)	Battery charger Lithium	4A off board
Weight of motor mount complete	20.5kg (45lbs)	Armrest height	200mm (7.9 inches)
Heaviest Piece	20.5kg (45lbs)	Brake	Dynamic breaking and electromagnetic brake

Safari

Lightweight and compact, it's the perfect powerchair that you'll be able to take almost anywhere.

The SupaChair Safari has a lightweight and compact design which can be assembled or disassembled in a matter of seconds. This powerchair is ideal to be used within your home and for those essential shopping trips, this is where you really feel the benefit from the sprung suspension.



Key Features

- Complete unit will fit into a car boot with ease
- Assembles/disassembles in seconds
- Folding foot board
- Anti-tip wheels
- Turning radius of 700mm
- Max user weight 23 stone (150kgs)
- Breaks down into 2 parts
- 2 x 150W motors
- Up to 10 miles travel distance
- Variable speed control
- Maximum speed 4mph
- Slope grade ability up to 9 degrees
- Gear stick control with 360° turning capability
- Battery is easily removed for charging
- 2 battery options available:
[SLA] 12v 14ah - 9kg (20lbs)
[Lithium] 24v 15ah - 4.0kg (9lbs)

SAFARI SPECIFICATIONS

Drive wheel size	200mm (8 inches)	Breaks down in to	2 pieces
Castor wheel size	178mm (7 inches)	Weight of seat, including armrest	10.6kg (23.4lbs)
Overall Length	870mm (34.3 inches)	Maximum speed SLA battery	4mph
Overall Width	600mm (23.6 inches)	Turning radius (reduced footboard)	700mm (27.6 inches)
Overall Height	840mm (33 inches)	Ground clearance	70mm (2.76 inches)
Standard Seat Width	410mm (16.2 inches)	Battery (SLA / Lithium)	24V 15 ah
Standard Seat Depth	400mm (15.8 inches)	Weight of battery (SLA / Lithium)	9.2kg / 4kg (20lbs / 9lbs)
Back Rest Height	370mm (14.6 inches)	Slope grade ability	9 degrees
Controller	Dynamic LiNX LE	Travel distance SLA / Lithium	Up to 10km / 16.5km (6.2 miles / 10.2 miles)
Weight Capacity	150kg (330lbs)	Battery Charger SLA	2A off board
Total weight with batteries (SLA)	37.7kg (83lbs)	Battery charger Lithium	4A off board
Weight of motor mount complete	17.9kg (39.4lbs)	Armrest height	200mm (7.9 inches)
Heaviest Piece	17.9kg (39.4lbs)	Brake	Dynamic breaking and electromagnetic brake

Safari Sport

The Safari Sport has been designed more for outdoor use. Featuring larger wheels & motor, enhancing its performance.

The Safari Sport is nimble enough to navigate small spaces in your home and with the extra power that the Safari Sport offers, it also gives you the versatility for outdoor use for shopping days and with larger wheels provides extra traction when using on rougher terrain for outdoor excursions.



Key Features

- Lightweight, fully transportable, compact design
- Folding foot board
- Anti-tip wheels
- Turning radius of 730mm
- Max user weight 19 stone
- Up to 10 miles travel distance
- Twin seat columns
- Variable speed control
- Maximum speed 5.6mph
- Breaks down into 2 parts
- Complete unit will fit in most car boots
- Slope grade ability up to 9 degrees
- Gear stick control with 360° turning capability
- Comfortable seat with spring suspension
- Battery is easily removed for charging
- 2 battery options available:
[SLA] 12v 14ah - 9kg (20lbs)
[Lithium] 24v 15ah - 4.0kg (9lbs)

SAFARI SPORT SPECIFICATIONS

Drive wheel size	260mm (10 inches)	Breaks down in to	2 pieces
Castor wheel size	200mm (8 inches)	Weight of seat, including armrest	10.6kg (23.4lbs)
Overall Length	910mm (35.8 inches)	Maximum speed SLA battery	5.6mph
Overall Width	610mm (24 inches)	Turning radius (reduced footboard)	730mm (28.7 inches)
Overall Height	865mm (34 inches)	Ground clearance	105 (4.1 inches)
Standard Seat Width	410mm (16.2 inches)	Battery (SLA / Lithium)	24V 15ah
Standard Seat Depth	400mm (15.8 inches)	Weight of battery (SLA / Lithium)	9.2kg / 4kg (20lbs / 9lbs)
Back Rest Height	370mm (14.6 inches)	Slope grade ability	8 degrees
Controller	Dynamic LiNX LE	Travel distance SLA / Lithium	Up to 10km / 16.5km (6.2 miles / 10.2 miles)
Weight Capacity	125kg (276lbs)	Battery Charger SLA	2A off board
Total weight with batteries (SLA)	40kg (88lbs)	Battery charger Lithium	4A off board
Weight of motor mount complete	20.2kg (44lbs)	Armrest height	200mm (7.9 inches)
Heaviest Piece	20.2kg (44lbs)	Brake	Dynamic breaking and electromagnetic brake

The SupaChair COMBI is a manual wheelchair and powerchair in one expertly designed package, which folds away easily for quick storage.

The comfort level and range of adjustments of the Combi exceeds that of most electric wheelchairs and even experienced users are impressed with the performance and all-round capabilities. Available in two versions, the standard and the sport.



The SupaChair COMBI is so versatile that it can be transformed within seconds into a manual version.

This manual wheelchair is complete with anti-tip wheels at the rear and a high backrest for added comfort. The quick release axles help to quickly fold the wheelchair for storage, perfect for use around the home or longer journeys.



Quick release adjustment



Adjustable armrest



Adjustable for left & right hand use



Joystick for attendant (Optional)



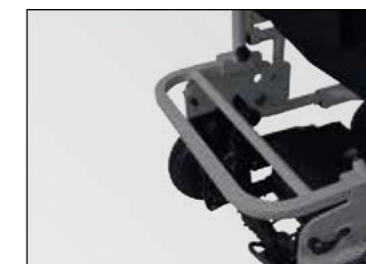
Anti-tip wheels



Adjustable slung backrest



3 angle settings for backrest



Rear mounted luggage frame (Optional)



Detachable foot board (Optional)

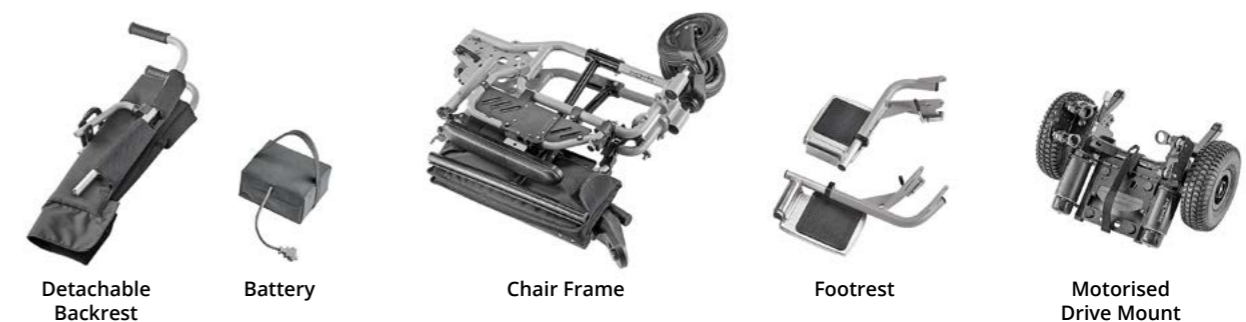
Key Features

- Adjustable armrests
- Adjustable slung backrest
- 3 back angle setting
- Folding foot rest
- Anti-tip wheels
- Max user weight 23 stone (150kgs)
- Breaks down into 6 parts
- Swing away joystick
- Up to 10 miles travel distance
- Variable speed control
- Maximum speed 4mph
- Slope grade ability up to 9 degrees
- Gear stick control with 360° turning capability
- Rear mount luggage (optional)
- Battery is easily removed for charging
- 2 battery options available:
[SLA] 12v 14ah - 9kg (20lbs)
[Lithium] 24v 15ah - 4.0kg (9lbs)

COMBI SPECIFICATIONS

Drive wheel size	200mm (8 inches)	Breaks down into:	6 pieces
Castor wheel size	178mm (7 inches)	Maximum speed SLA battery	6.5kph (4mph)
Overall Length	1180mm (46.5 inches)	Turning radius	11mm (43.3 inches)
Overall Width	620mm (25.2 inches)	Ground clearance	83mm (2.76inches)
Overall Height	1010mm (39.8 inches)	Battery (SLA / Lithium)	24V 15 ah
Standard Seat Width	490mm (19.3 inches)	Weight of battery (SLA / Lithium)	9.2kg / 4kg (20lbs / 9lbs)
Standard Seat Depth	450mm (17.7 inches)	Slope grade ability	9 degrees
Back Rest Height	470mm (18.5 inches)	Travel distance SLA / Lithium	Up to 10km / 16.5km (6.2 miles / 10.2 miles)
Weight Capacity	150kg (330lbs)	Battery Charger SLA	2A off board
Total weight with batteries (SLA)	37.3kg (82lbs)	Battery charger Lithium	4A off board
Weight of motor mount complete	15kg (33lbs)	Armrest height	160- 215mm (6.3 - 8.5 inches)
Heaviest Piece	15kg (33lbs)	Brake	Dynamic breaking and electromagnetic brake

BREAKS DOWN IN 6 EASY TO HANDLE PARTS





www.supachair.co.uk

Cavendish Healthcare Group

showroom 11 The Parkwood Centre, Aston Road, Waterlooville, Hampshire PO7 7HT

call **02392 255 600** email sales@cavendish.healthcare



Disclaimer

We have done everything possible to provide accurate information regarding the power chair range within this brochure. Also, please note that the performance is dependent on several factors, including weight, medical condition, terrain and regular maintenance. At the time of printing, all measurements and the weight of individual parts are accurate to the best of our knowledge.